

Rheem **CLIPPER**

**H181, H281
H182, H282**

Hand operated
Available horizontal
and vertical mounted
with stand
100 series clip



AD187T

Pneumatically
operated
Double clipping
100 series clip



F126LT

Pneumatically
operated
100 series clip



These clipping
machines are all
pneumatically
operated. Each
style is suited
for different
applications and
each model
takes a different
size clip.

**C185LT
C285LT
C485LT**



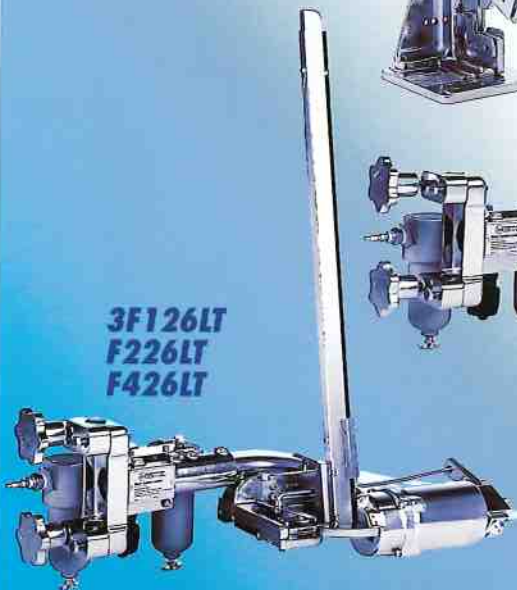
**C186LT
C286LT
C486LT**



**AZ2100L
AZ4100L**



**3F126LT
F226LT
F426LT**



**F225LT
F425LT
F625LT**



PR485LT



Please call us or our distributor for further details.

VISYPAK
INNOVATIVE PACKAGING SOLUTIONS.

5 Lenton Place
North Rocks
NSW Australia

PO Box 2168
North Parramatta
NSW 1750 Australia

Telephone (02) 8838 0201
International 612 8838 0201
Sales (02) 8838 0222 Fax (02) 9630 8064